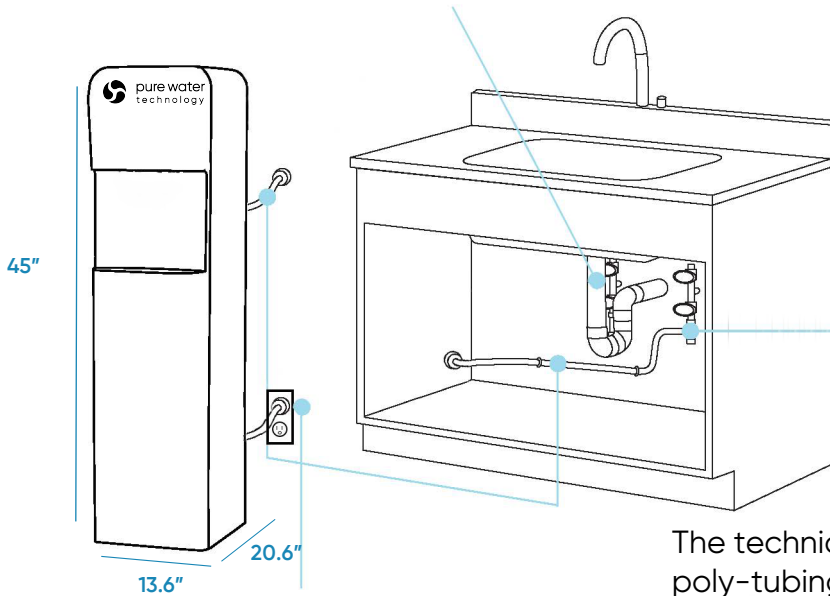


PWT 15000

NEW CONSTRUCTION GUIDE*

The technician will connect to the drain before the trap.



NEMA 5-15 GFCI on dedicated 15 amp circuit within 5 feet of the unit.

The technician will connect to the cold water supply under the sink.

The technician will run 1/4" poly-tubing from connection location to unit.

Special Notes:

- o Unit can be up to 50 feet away from source and drain.
- o Drain water is from the filters and has pressure behind it; no need for a pump.
- o Drip tray does not drain.

Description	Specification
Weight	60 lbs. (27.22 kg)
Dimensions	45" H x 13.6" W x 20.6" D (114 cm H X 34.6 cm W x 52.4 cm D)
Ambient Capacity	Tankless
Hot Tank Capacity	0.5 gallons (1.8 Liters)

Description	Specification
Dispense Area	9" H (22.86 cm)
Ice Amount Per Day	125 lbs. (55 kg)
Ice Storage Capacity	7 lbs. (3 kg)
Rated Voltage/ Frequency	120v and 230v 50/60hz
Power Consumption	1.6kWh / 24 hours

*This is only a suggested guide. Please consult your technician or building supervisor for further guidance.